

Affordable Print Registration Wrapper

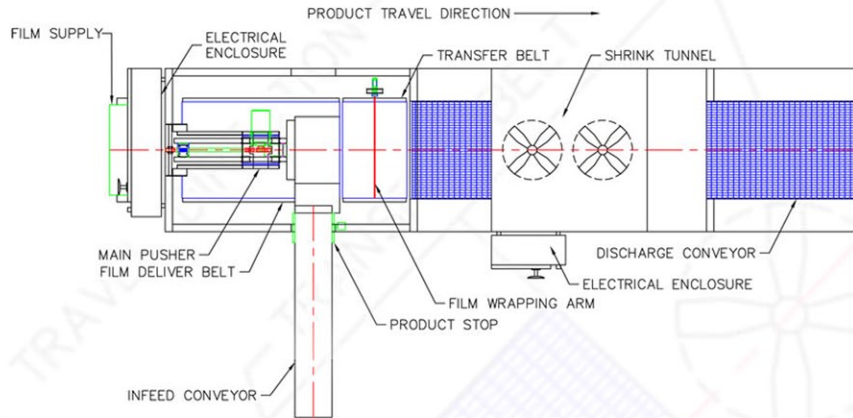


- **Low cost print-registered shrink wrapper**
*Competitively priced shrink bundler
Runs clear, random printed and print registered film
Up to 20 bundles/min.*
- **Various modular infeed options**
Side infeed, inline infeed, and inline flood infeed available
- **Intermittent motion wrapping assembly**
*Elliptical motion for variable product width & height
Uses a single roll of film to wrap products with a lap seal
No seal bar*
- **Easy film threading**
*Motorized, self-regulating dancer bar feeds the
floor mounted, powered film cradle*
- **Triple wall, double insulated shrink tunnel**
*Thermostat controlled for consistent temperatures
Conserves heat and reduces energy consumption*
- **Stainless steel mesh tunnel conveyor**
Cools naturally and prevents film from sticking
- **Modular collation devices**
*Multiple infeed options for various pack configurations
Infeed modules offer quick changeover - Less than 10 minutes*

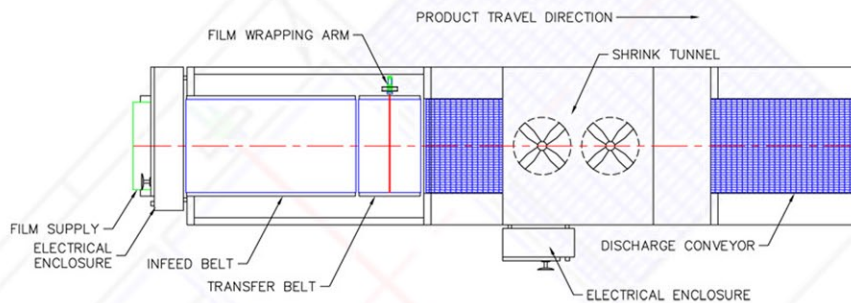


TANGO

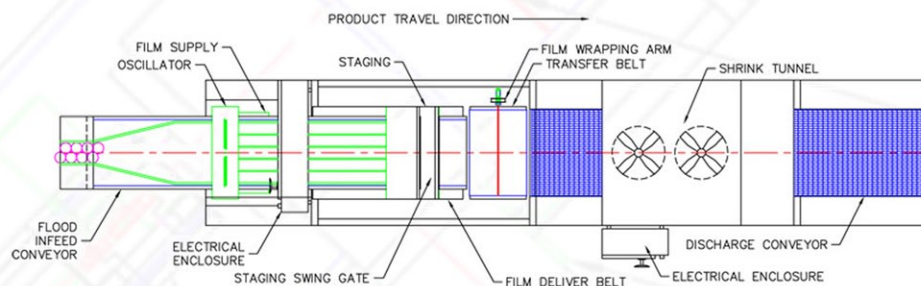
Side Infeed



Inline Infeed



Flood Infeed



- Run printed or clear film down to 1 mil!
- Available for 24" and 32" film widths
- Heavy 11-gauge stainless steel frame
- Single unit construction includes infeed, wrapping section, and shrink tunnel
- Nema 12 control panel
- 220, 380, 415, 440 or 575 volts - 3 phase, 50 or 60 hz.
- Pneumatic controls require 65-70 p.s.i. (5 bars) @ 8-10 c.f.m.

Corporate Headquarters

3301 Gateway Centre Blvd. | Pinellas Park, FL 33782

Tel: 727.578.5000 | Fax: 727.578.1300

www.polypack.com | Email: info@polypack.com



poly innovation
pack in packaging
equipment

WWW.POLYPACK.COM