



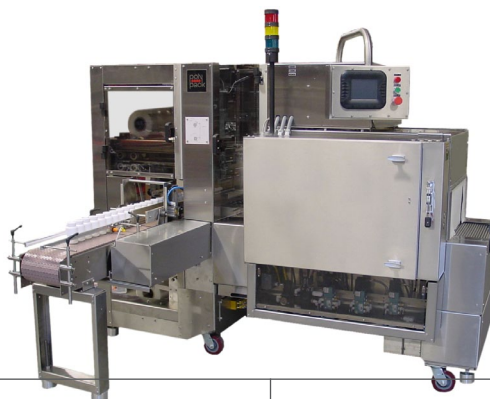
PHARMA SERIES



PHARMACEUTICAL SHRINK BUNDLER. The PHARMA series shrink bundlers are compact, intermittent motion machines designed to collate and shrink wrap pharmaceutical products. This Polypack model uses a motorized pusher to provide smooth, positive transfers. This pharmaceutical shrink wrapper is capable of handling both rounded and squared containers, such as vitamin bottles and small cartons. These compact bundlers are ideal for nutraceutical, pharmaceutical, and personal care products.



POLYPACK'S PHARMA SERIES integrates state of the art design, construction, operation and safety features. These machines are designed to respond to the needs of the pharmaceutical and nutraceutical industries. These machines are very compact and can multipack small bottles, vials, medicine boxes, medical tubes, and other medical, pharmaceutical and nutraceutical packages of different shapes and sizes.



WE GOT IT COVERED

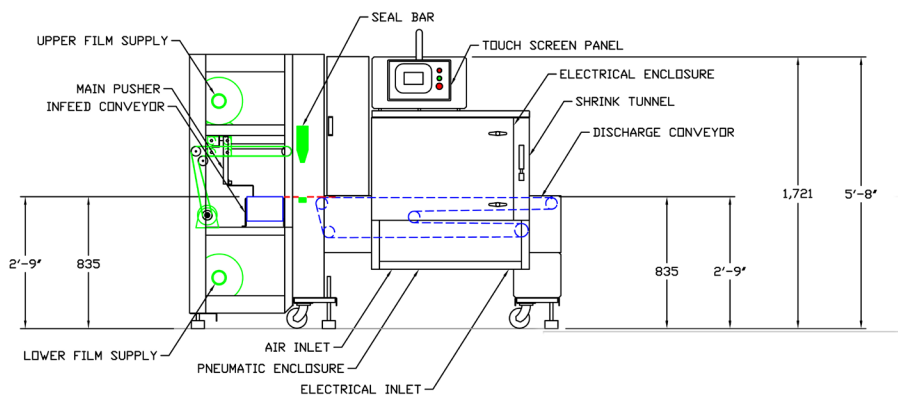
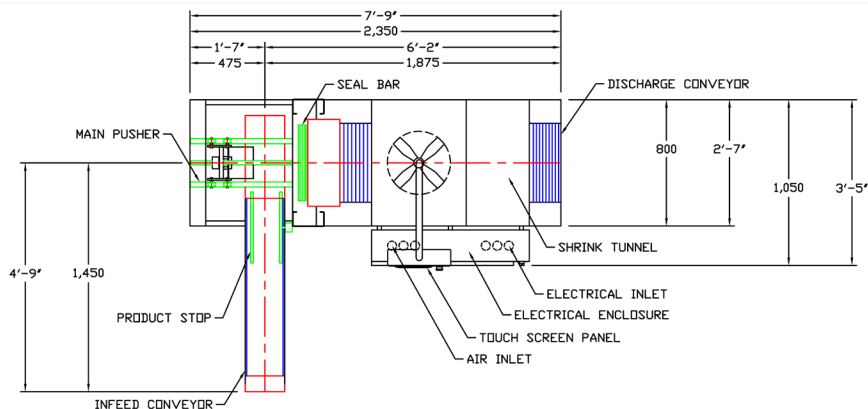


DESIGNED TO ADAPT.
BUILT TO ENDURE.

POLYPACK.COM
727.578.5000



PHARMA SERIES



PHARMA SERIES MACHINE FEATURES

- *Heavy Gauge, Stainless Steel Construction
- *Self-Leveling, Teflon[®] Coated Hot Knife Sealbar Assembly
- *Pre-Programmed Collation Modules
- *Self-Adjusting Solid Stainless Steel Rod Tunnel Conveyor (No Belts or Coatings)
- *Engineered as a Single Unit with Integrated Double Insulated Tunnel to Reduce Energy Consumption
- *Polycarbonate Enclosures Ensure Safety and Easy Access to Machine Components
- *Quick, Tool-Free Changeovers
- *PLC Touchscreen Interface

**WE GOT IT
COVERED**



CORPORATE HEADQUARTERS
3301 GATEWAY CENTRE BLVD.
PINELLAS PARK, FL 33782 USA

POLYPACK.COM
INFO@POLYPACK.COM
727.578.5000

